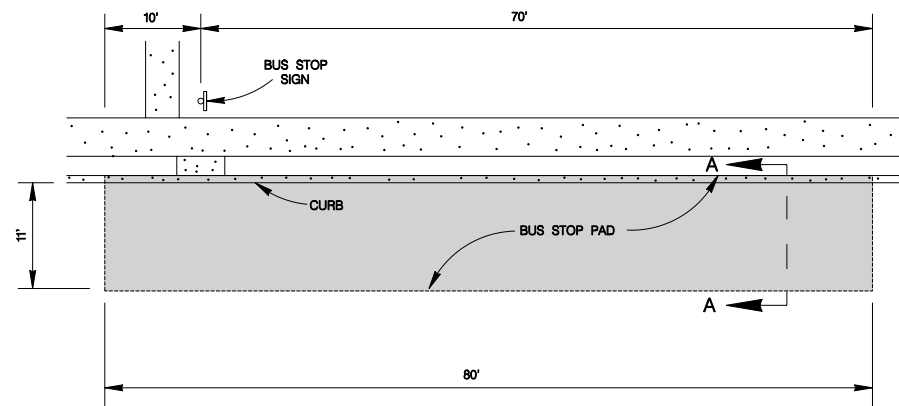


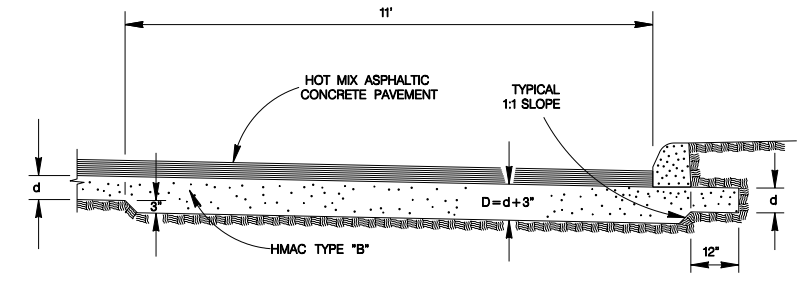
TYPICAL STREET SECTION
SCALE : 1"=8'

NOTE :
FOR STREETS OTHER THAN LOCAL TYPE "A" STREETS,
THE EDGE OF THE SIDEWALK MUST BE LOCATED A
MINIMUM OF TWO FEET AWAY FROM THE BACK OF
THE CURB.

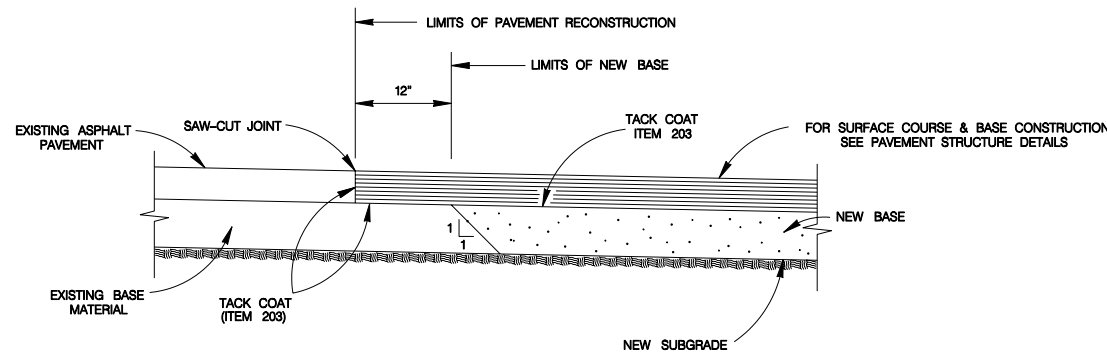


PLAN VIEW
SCALE : 1"=20'

- NOTES :
- EXCAVATION FOR THICKENED PAVEMENT SECTION WILL BE PAID UNDER ITEM NO.104 "STREET EXCAVATION".
 - BASE MATERIALS :
A.) IF THE MEASUREMENT FOR THE HMAC MATERIAL IS PER TON, THICKENED PAVEMENT SECTION WILL BE PAID FOR UNDER ITEM NO.205, TYPE "B" - PER TON.
B.) IF THE MEASUREMENT FOR THE HMAC MATERIAL IS PER SQUARE YARD, NO EXTRA PAYMENT WILL BE MADE FOR THE THICKENED PAVEMENT.

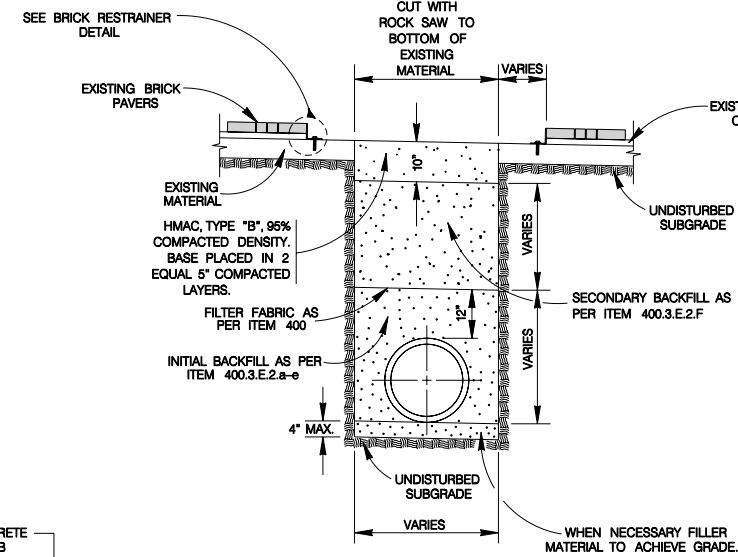


SECTION "A-A"
SCALE : 1"=4'

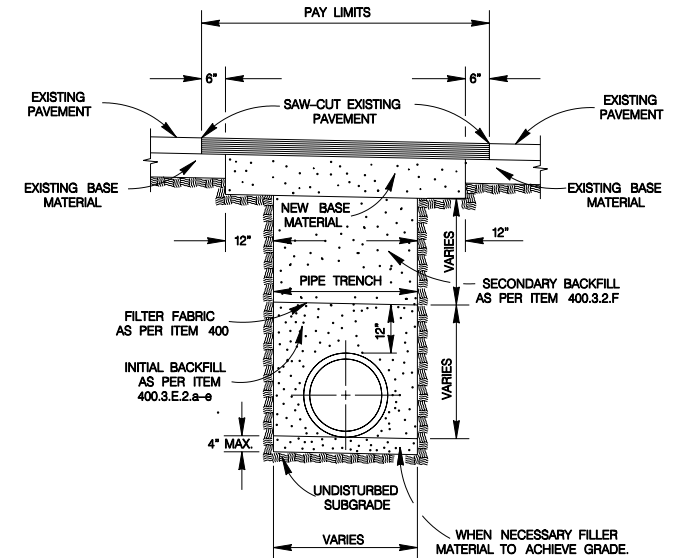


PAVEMENT JUNCTION DETAILS
SCALE : 1"=2'

HMAC BUS STOP PAD
NEED CITY ENGINEER'S APPROVAL
TO USE HMAC BUS PAD

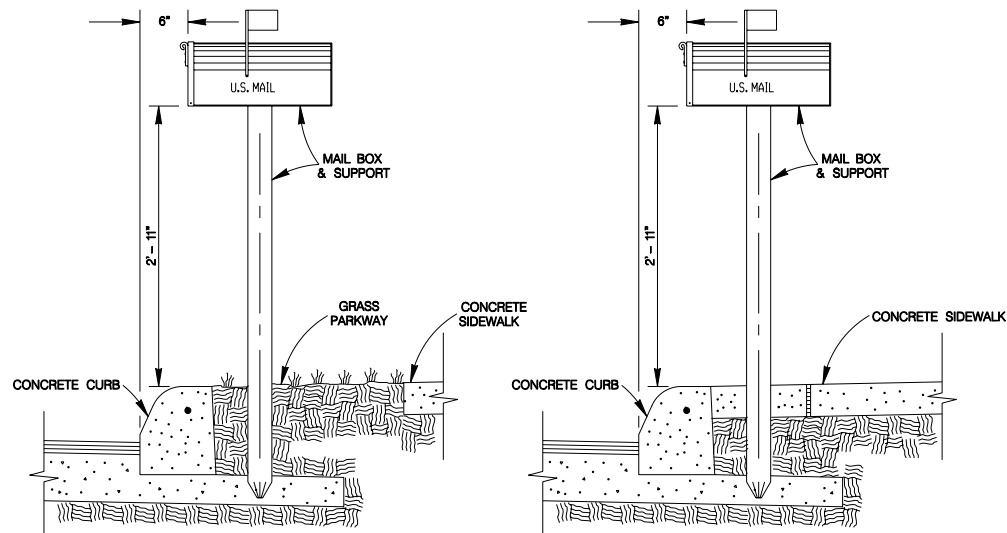


TYPICAL BASE REPLACEMENT FOR BRICK SURFACED STREET SECTION
ITEM 511.3
SCALE : 1"=4'



- NOTES :
- FOR LOCAL TYPE "A" & "B" STREETS (RESIDENTIAL) USE 6" ASPHALT CONCRETE BASE TYPE "B" WITH 1-1/2" TYPE "D" HOT MIX ASPHALTIC CONCRETE PAVEMENT.
 - FOR ARTERIAL & SECONDARY STREETS (COMMERCIAL) USE 12.5" TYPE "B" HOT MIX ASPHALTIC CONCRETE PAVEMENT LEVELING-UP COURSE & 1-1/2" TYPE "D" HOT MIX ASPHALTIC CONCRETE PAVEMENT SURFACE COURSE.

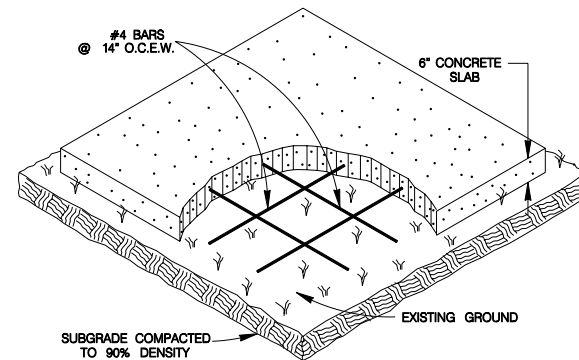
TYPICAL PAVEMENT REPLACEMENT
ITEM 511
SCALE : 1"=4'



MAIL BOX PERPENDICULAR TO CURB
WHEN SIDEWALK IS DETACHED FROM CURB
SCALE : 1"=2'

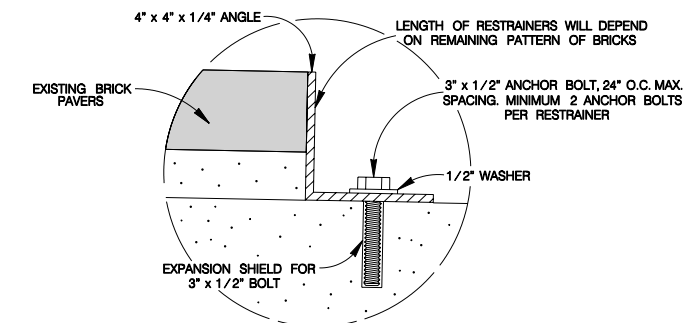
MAIL BOX PERPENDICULAR TO CURB
WHEN SIDEWALK IS ATTACHED TO CURB
SCALE : 1"=2'

MAIL BOX LOCATION
ITEM 513.1



- MAIL BOX PAD NOTES :**
- THE CONTRACTOR WILL CONSTRUCT SLABS FOR "TEMPORARY MAIL BOX COLLECTION PAD" FOR THE UNITED STATES POSTAL SERVICE WITH LOCATIONS AND SIZES SPECIFIED BY THE CITY ENGINEER DURING CONSTRUCTION.
 - THE CONSTRUCTION OF SLABS SHALL CONFORM TO ITEM 513 "REMOVING AND RELOCATING MAILBOXES".
 - PAYMENT WILL BE MADE UNDER ITEM 513.2 "COMMUNITY MAILBOX SLAB - PER SQUARE YARD".
 - UNIT PRICE WILL INCLUDE REMOVAL OF "TEMPORARY MAIL BOX COLLECTION PAD" SLABS AT THE END OF THE PROJECT. NO SEPARATE PAY ITEM.

COMMUNITY MAIL BOX SLAB
ITEM 513.2
SCALE : 1"=4'



BRICK RESTRAINER DETAIL
SCALE = 1:6

FEBRUARY 2010

CITY OF SAN ANTONIO
CAPITAL IMPROVEMENTS MANAGEMENT SERVICES DEPARTMENT

MISCELLANEOUS
CONSTRUCTION STANDARDS II