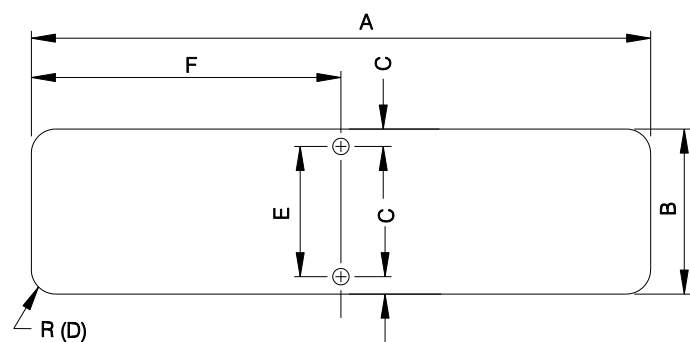
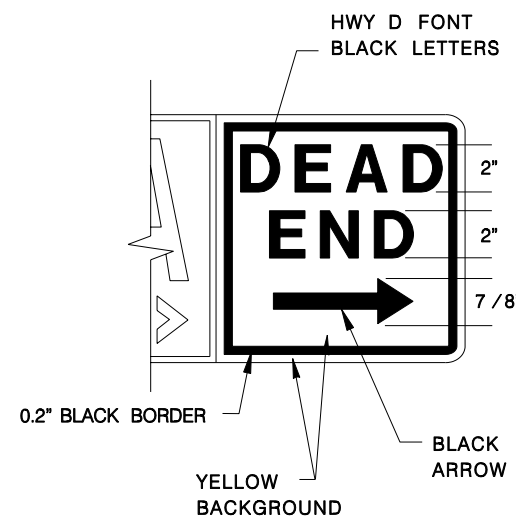


9" D3 - STREET NAME SIGN

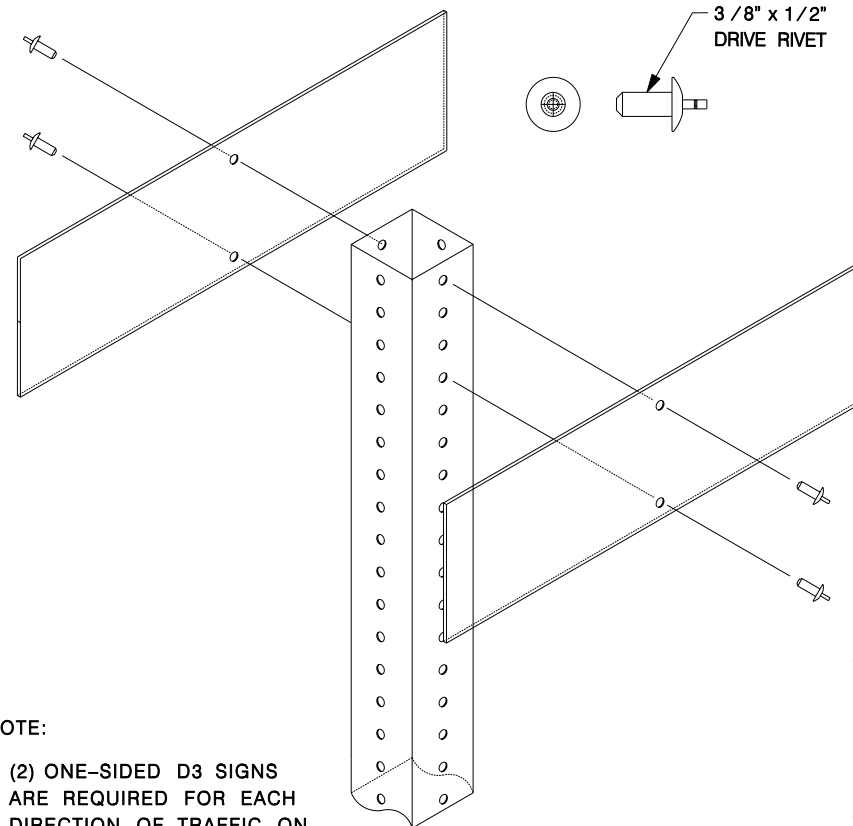


NEW 9" D3 W / DEAD END OR NO OUTLET SIGNAGE



A	B	C	D	E	F	T
24"	9"	1/2"	3/4"	8"	12"	0.125"
30"	9"	1/2"	3/4"	8"	15"	0.125"
36"	9"	1/2"	3/4"	8"	18"	0.125"
42"	9"	1/2"	3/4"	8"	21"	0.125"
48"	9"	1/2"	3/4"	8"	24"	0.125"
54"	9"	1/2"	3/4"	8"	27"	0.125"

NOTE: A 30" LONG OR GREATER PLATE SHALL BE USED WHEN A "DEAD END" OR "NO OUTLET" SUPPLEMENT IS REQUIRED.



NOTE:
(2) ONE-SIDED D3 SIGNS ARE REQUIRED FOR EACH DIRECTION OF TRAFFIC ON EACH POLE.

D3 SIGN TO POLE INSTALLATION

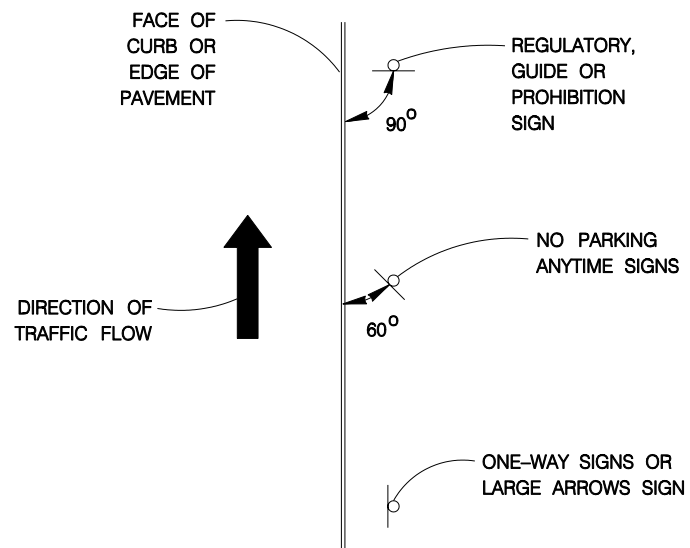
STREET SIGN ASSEMBLY EXAMPLES	PAY ITEMS			
	ITEM	UNIT	DESCRIPTION	QUANTITY
	531.3	EA.	R1-1 STOP	1
	531.57-P	EA.	9-IN STREET NAME PLATE (4 PLATES)	2
	531.4	EA.	R1-2 YIELD	1
	531.57-P	EA.	9-IN STREET NAME PLATE (2 PLATES)	1
	531.57	EA.	9-IN STREET NAME SIGN (2 PLATES)	1
	531.57-P	EA.	9-IN STREET NAME PLATE (2 PLATES)	1

NOTE:

* ITEM 531.57 "9-INCH STREET NAME" SIGN (1-EA.) INCLUDES THE INSTALLATION OF (2) ONE-SIDED D3 SIGNS. THIS SHALL BE FULL COMPENSATION FOR MATERIALS AND LABOR AS DESCRIBED IN C.O.S.A. STANDARD SPECIFICATIONS AND GROUND SIGN MOUNTING STANDARD DETAIL.

* ITEM 531.57-P "9-INCH STREET NAME PLATE" (1-EA.) INCLUDES THE INSTALLATION OF (2) ONE-SIDED D3 SIGNS ON TOP OF EXISTING SIGN (I.E., STOP SIGN OR YIELD SIGN), EXTRA LENGTH POLE AND APPURTENANCES REQUIRED TO MEET SPECIFICATIONS.

HEIGHT	9" (228 mm)
LENGTH	24" (600 MM) MIN. 54 (1350 MM) MAX. 6" (150 MM) INCREMENTS OF LENGTH
THICKNESS	0.125" (3MM)
SUBSTRATE	ALUMINUM ALLOY, 5052-H38 (ASTM B-209) GOLD CHROMATE FINISH
SIGN FACE MATERIALS	BLUE FILM OVER HIGH INTENSITY FP-85, SECTION 718 AND L-S-300C
LEGENDS AND SYMBOLS	SERIES D (USUAL) SERIES C OR B FOR MAXIMUM LENGTH SIGN BLANK, IF NECESSARY
COLOR	WHITE LEGEND ON BLUE BACKGROUND
LETTER TRACKING	10%



TYPICAL GROUND MOUNTED SIGN PLACEMENT

THE ORIGINAL OF THIS DRAWING WAS SIGNED AND SEALED BY EDWARD N. MERY, P.E., #58698 ON 02.06.06 AND IS ON FILE WITH THE TRAFFIC ENGINEERING DIVISION OF THE PUBLIC WORKS DEPARTMENT, CITY OF SAN ANTONIO.

JULY 2010

CITY OF SAN ANTONIO
DEPARTMENT OF PUBLIC WORKS

TRAFFIC SIGN STANDARDS
D3 STREET NAME SIGN
AND SIGN MOUNTING
SHEET 2 OF 4

DRWN. BY: A.F.G. DSGN. BY: E.N.M. CHKD. BY: J.D.F./E.N.M. SHEET NO.: OF