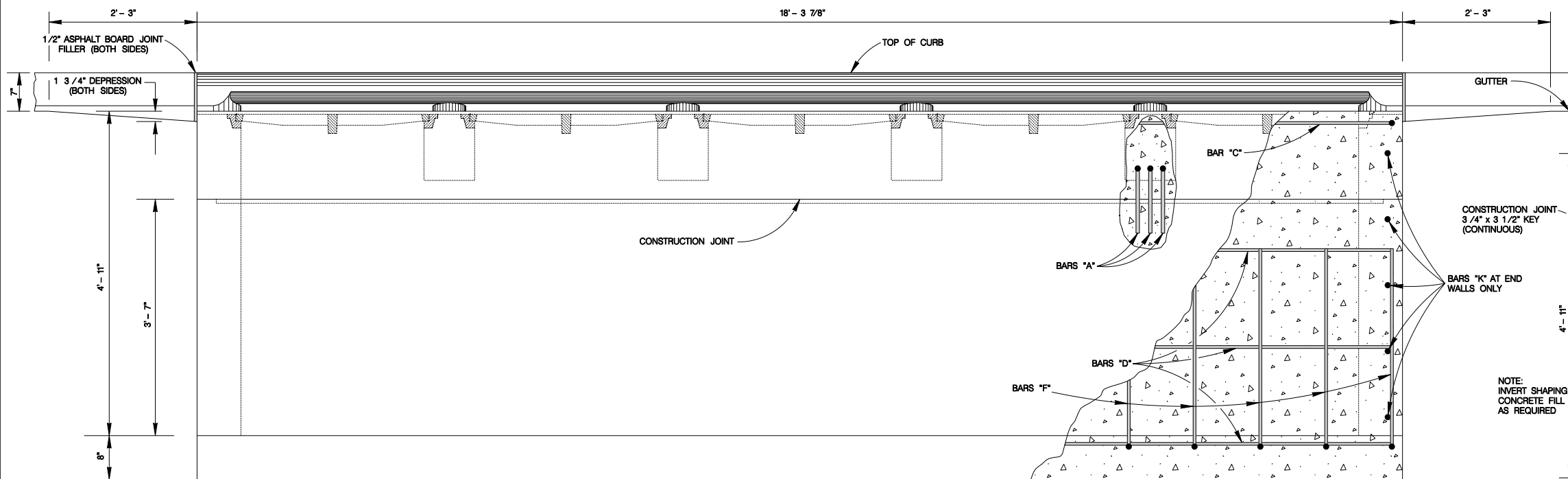


**PLAN VIEW**  
SCALE : 1" = 2'



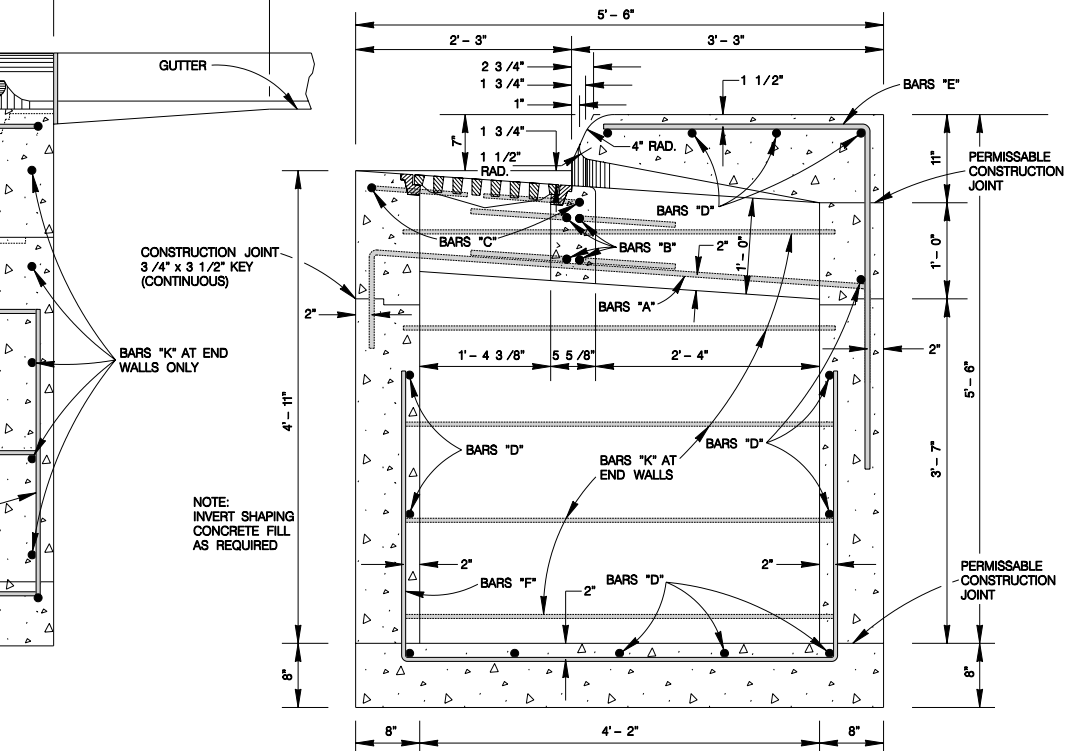
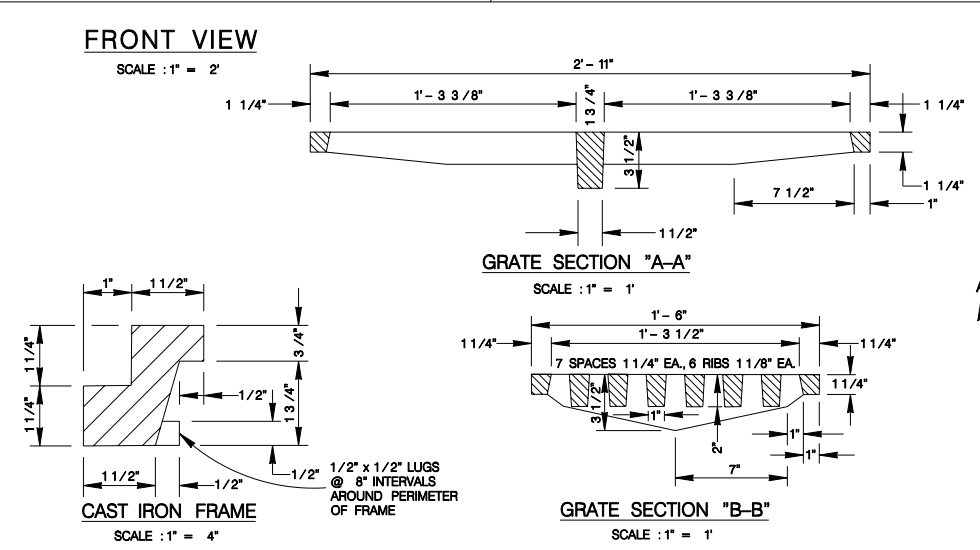
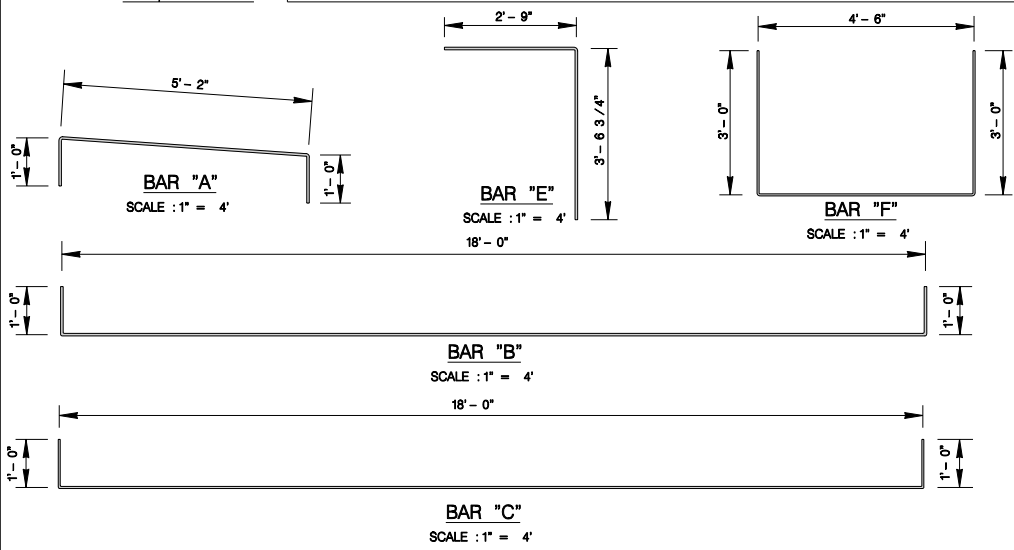
**FRONT VIEW**  
SCALE : 1" = 2'

- GENERAL NOTES**
1. ALL BARS INTERCEPTING REINFORCED CONCRETE PIPE SHALL BE FIELD CUT.
  2. CONCRETE FOR STRUCTURES SHALL BE CLASS "A", 3000 P.S.I. IN 28 DAYS.
  3. ALL DIMENSIONS RELATING TO REINFORCING STEEL ARE TO CENTER OF BARS.
  4. ALL EXPOSED CORNERS SHALL BE CHAMFERED 3/4".
  5. CONSTRUCTION JOINT SHOWN AT FLOWLINE MAY BE RAISED A MAXIMUM OF 6" AT THE OPTION OF THE CONTRACTOR. ADJUST LENGTH OF VERTICAL STEEL AS REQUIRED.
  6. ALL REINFORCING STEEL SHALL MEET A.S.T.M. SPECIFICATION A 15-58T, NEW BILLET-STEEL, INTERMEDIATE GRADE, AND A.S.T.M. A305-56, MINIMUM REQUIREMENTS FOR DEFORMED STEEL BARS.
  7. PAYMENT FOR ALL EXCAVATION, BACKFILLING, CONCRETE AND REINFORCING STEEL SHALL BE INCLUDED IN THE UNIT COST OF ITEM 403 "STORM SEWER JUNCTION BOXES AND INLETS".

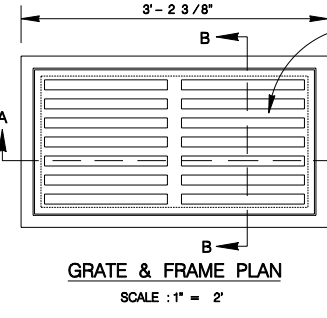
REINFORCING STEEL SCHEDULE						
SHAPE	BAR	NO.	SIZE	SPACE	LENGTH	WEIGHT
—	A	12	5	2 5/8" C-C	7' - 2"	90
—	B	4	5	AS SHOWN	20' - 0"	83
—	C	2	4	AS SHOWN	20' - 0"	27
STRAIGHT	D	14	4	AS SHOWN	18' - 0"	168
—	E	28	5	8"	6' - 3 3/4"	184
—	F	19	4	12"	10' - 6"	133
STRAIGHT	K	10	4	12"	4' - 6"	30
TOTAL =						715 LBS.

ESTIMATED QUANTITIES		
ITEM	UNIT	NEAT QUANTITY
CLASS "A" CONCRETE	C.Y.	*10.05
REINFORCING STEEL	LBS.	*715
STORM SEWER CASTINGS	LBS.	1410

\*THESE FIGURES DO NOT EXCLUDE CONCRETE & STEEL INTERCEPTED BY REINFORCED CONCRETE PIPE.



**SECTION A-A**  
SCALE : 1" = 2'



**GRATE & FRAME PLAN**  
SCALE : 1" = 2'

ALAMO IRON WORKS  
NO. 847-04, OR EQUAL  
TOTAL WEIGHT 282 LBS.

JANUARY 2005  
CITY OF SAN ANTONIO  
CAPITAL IMPROVEMENTS MANAGEMENT SERVICES DEPARTMENT

**TYPE "A" INLET STANDARDS**

% SUBMITTAL	PROJECT NO.:	DATE:
DRWN. BY: V. VASQUEZ	DSGN. BY:	CHKD. BY:
SHEET NO.:		OF