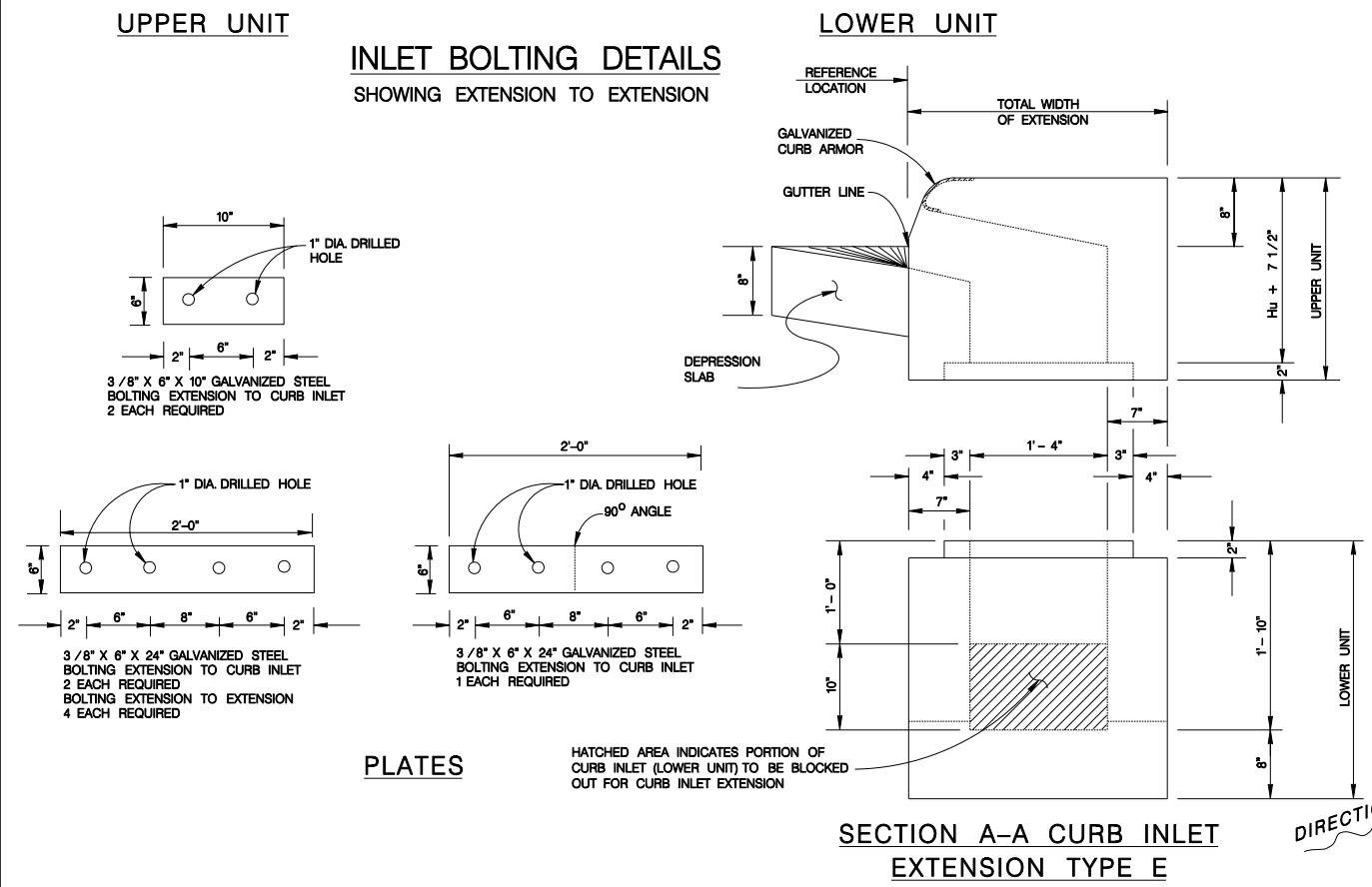


UPPER UNIT EXTENSION (FOR H _u = 11')					
BAR	NO.	SIZE	SPAC.	LENGTH	WEIGHT
A	4	#4	—	15'-2"	41
B	3	#4	—	14'-2"	28
C	3	#4	11"	13'-2"	26
D	3	#4	6"	10'-10"	22
E	8	#4	11"	1'-2"	6
F	21	#6	6"	2'-0"	63
G	22	#6	6"	3'-4"	110
H	4	#4	—	10'-10"	29
J	12	#4	12"	3'-6"	28
L	4	#4	—	2'-0"	5
M	3	#4	—	14'-8"	29
REINFORCING STEEL					LBS. 387
CLASS "A" CONCRETE					C.Y. 1.0

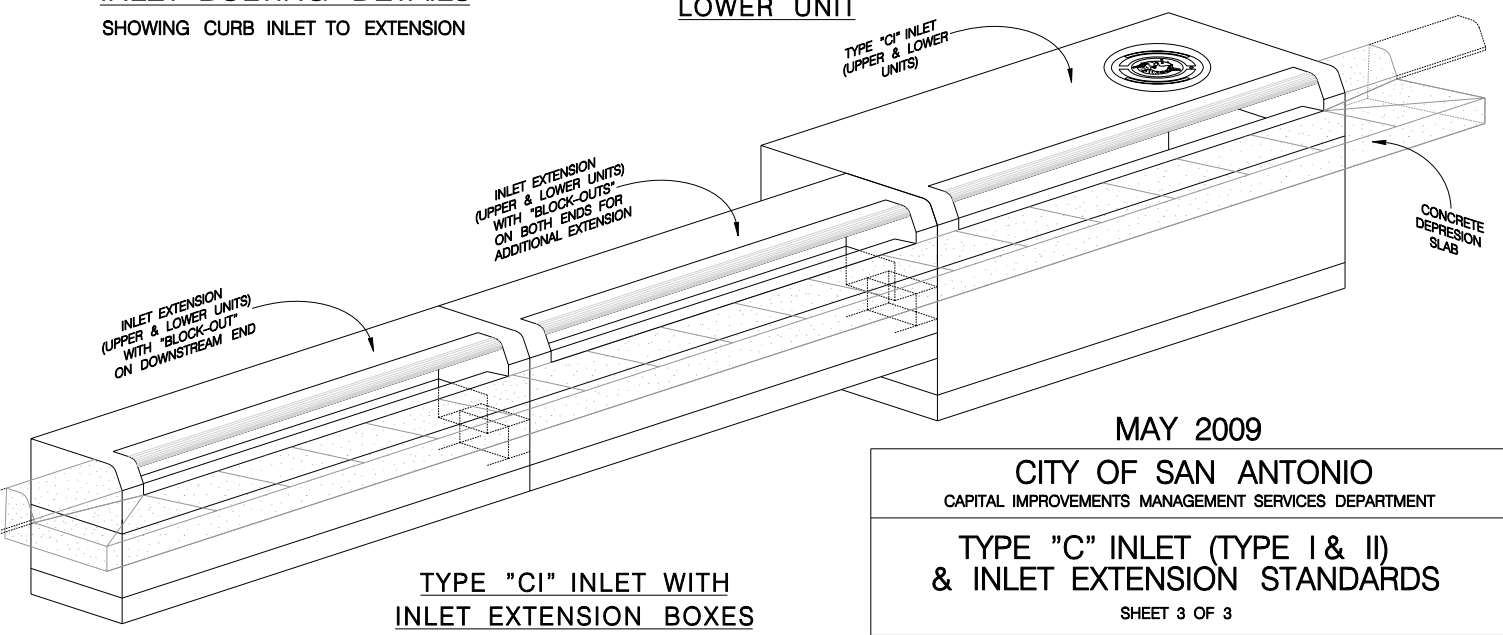
LOWER UNIT EXTENSION					
BAR	NO.	SIZE	SPAC.	LENGTH	WEIGHT
A	12	#4	12"	6'-2"	49
B	11	#4	12"	2'-2"	16
B ₁	3	#4	12"	2'-2"	4
E ₁	18	#4	18" ±	2'-3"	27
E ₂	4	#4	18" ±	2'-1"	6
F ₁	16	#4	12" ±	10'-10"	116
F ₂	5	#4	—	10'-10"	36
REINFORCING STEEL					LBS. 254
CLASS "A" CONCRETE					C.Y. 1.4

GENERAL NOTES

1. WHEN INLET EXTENSIONS ARE REQUIRED FOR ON GRADE INLETS THE EXTENSION(S) SHALL BE PLACED ON THE UPSTREAM END OF THE INLET.
2. FOR CURB INLET EXTENSION REINFORCING STEEL, NOTES & VARIOUS OTHER APPLICABLE DETAILS NOT FOUND ON THIS SHEET, REFER TO SHEETS 1 & 2.



INLET BOLTING DETAILS SHOWING CURB INLET TO EXTENSION



MAY 2009

CITY OF SAN ANTONIO
CAPITAL IMPROVEMENTS MANAGEMENT SERVICES DEPARTMENT

TYPE "C" INLET (TYPE I & II) & INLET EXTENSION STANDARDS
SHEET 3 OF 3